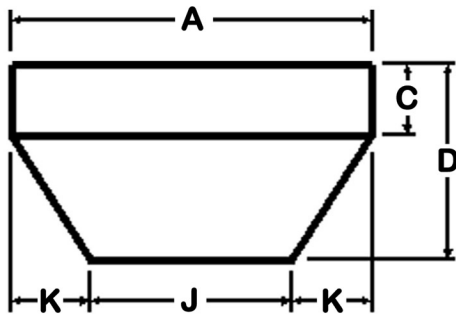


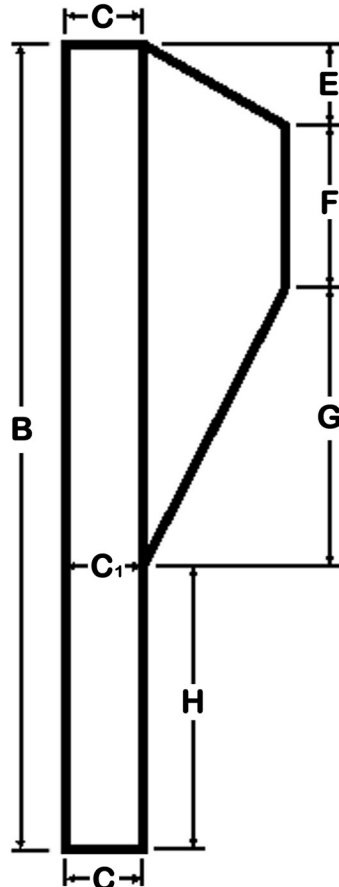
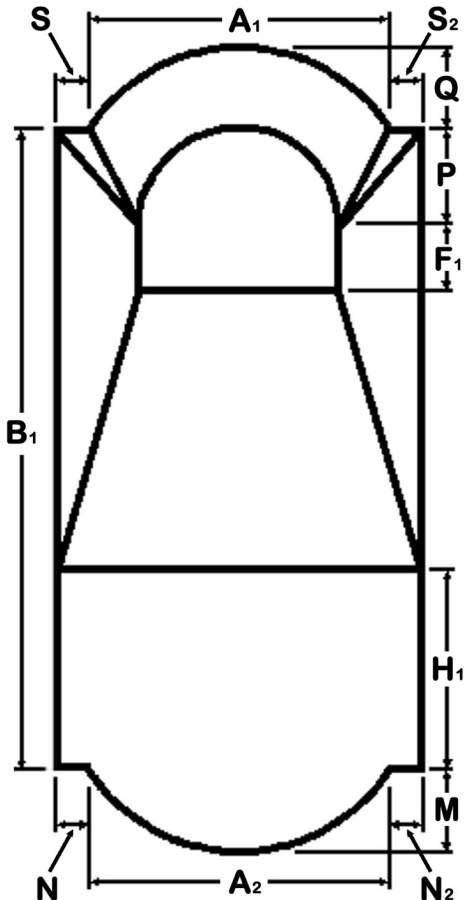


Pocono Pool Products

Company Name: _____ **Cust. Name/PO#:** _____
Address: _____ **Hung (Beaded) - Bead Type:** _____
City: _____ **State:** ____ **Zip:** _____ **Overlap - Size of Overlap:** _____
Phone: _____ **Cell:** _____ **Liner Over Steps: YES or NO** (Attach Step Orderform)
Fax: _____ **Contact:** _____ **Cut-Out Steps: YES or NO** (Show Location Below)
Liner Pattern: Tile/Wall: _____ (20 or 28 mil) **Floor:** _____ (20 or 28 mil)



A	C ₁	H	N
A ₁	D	H ₁	N ₁
A ₂	E	J	P
B	F	K	Q
B ₁	F ₁	L	S
C	G	M	S ₁



CORNERS (Pool Wall - Not Coping)

SQUARE

90°

DIAGONAL

D = _____

RADIUS

R = _____

Double Roman End

Carlton Rd, Swiftwater, PA

Phone: (570) 839-9291 Fax: (570) 839-6915

15 Krey Blvd., Rensselaer, NY

Phone: (518) 283-1023 Fax: (518) 283-1059