



Pocono Pool Products

Company Name: _____

Cust. Name/PO#: _____

Address: _____

Hung (Beaded) - Bead Type: _____

City: _____ State: _____ Zip: _____

Overlap - Size of Overlap: _____

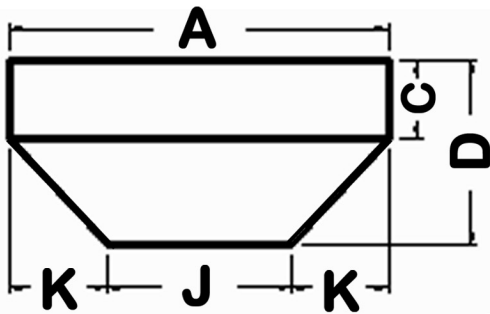
Phone: _____ Cell: _____

Liner Over Steps: YES or NO (Attach Step Orderform)

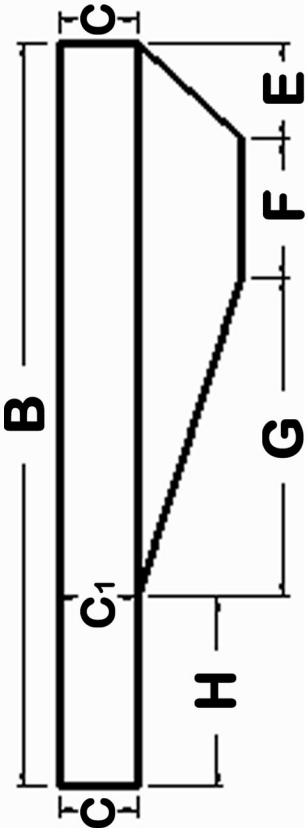
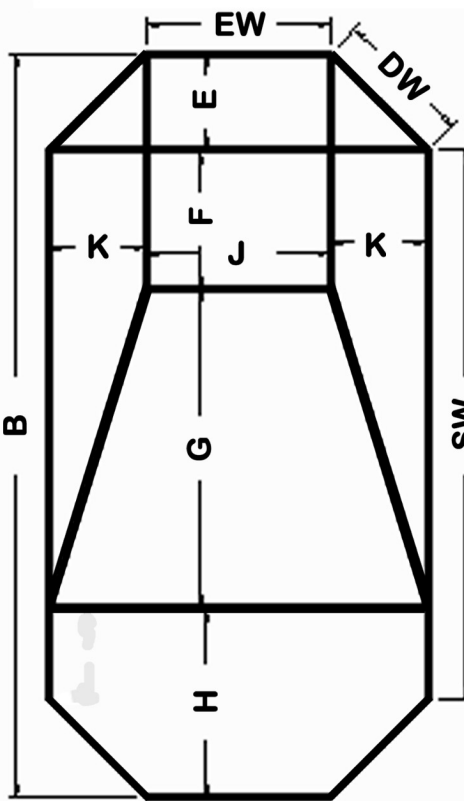
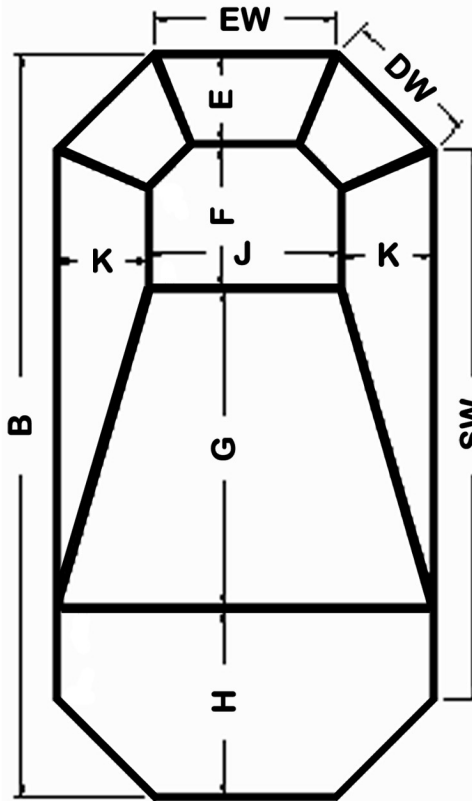
Fax: _____ Contact: _____

Cut-Out Steps: YES or NO (Show Location Below)

Liner Pattern: Tile/Wall: _____ (20 or 28 mil) Floor: _____ (20 or 28 mil)



A	E	D
B	F	J
C	G	K
C ₁	H	L
EW	DW	SW



**Grecian Pool
w/Grecian Pad**



**Grecian Pool
w/Rectangular Pad**

Carlton Rd, Swiftwater, PA

Phone: (570) 839-9291 Fax: (570) 839-6915

15 Krey Blvd., Rensselaer, NY

Phone: (518) 283-1023 Fax: (518) 283-1059