



# Pocono Pool Products

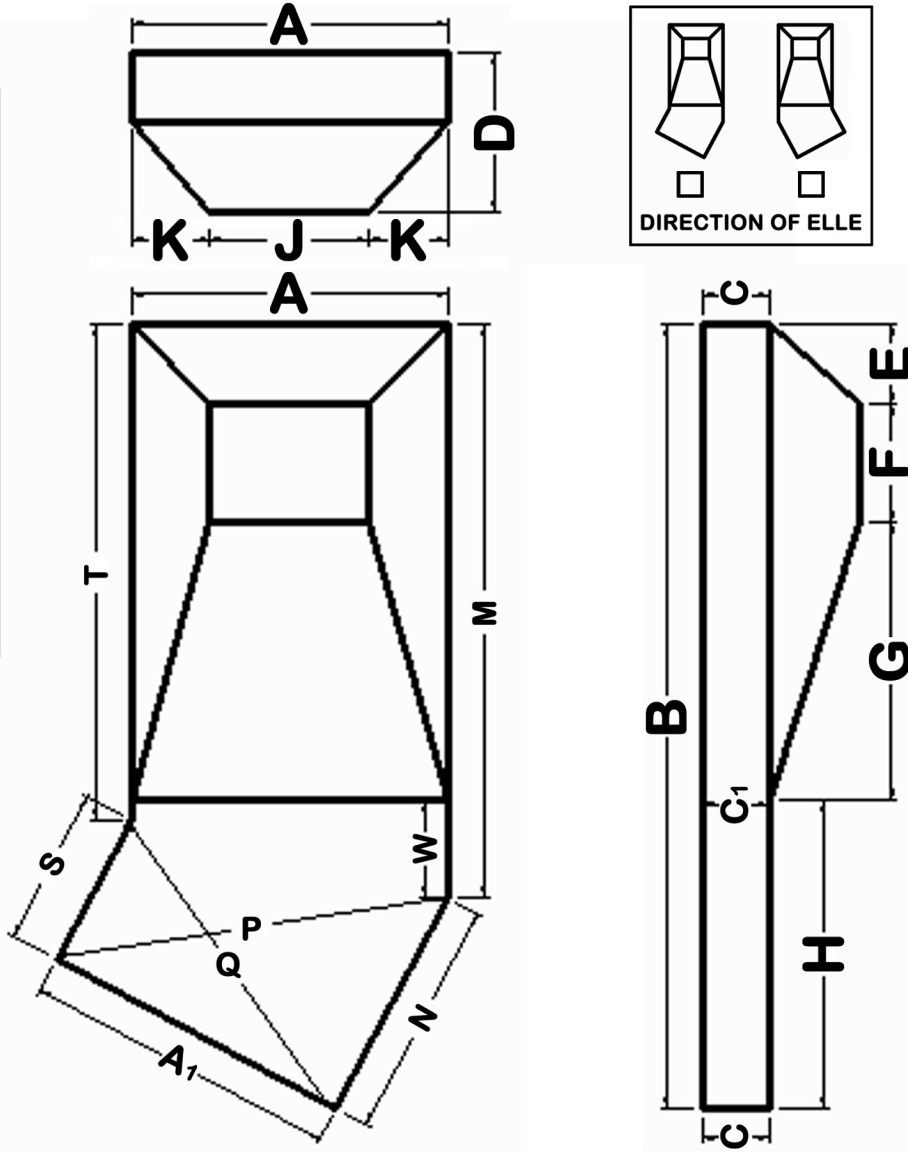
**Company Name:** \_\_\_\_\_ **Cust. Name/PO#:** \_\_\_\_\_  
**Address:** \_\_\_\_\_ **Hung (Beaded) - Bead Type:** \_\_\_\_\_  
**City:** \_\_\_\_\_ **State:** \_\_\_\_ **Zip:** \_\_\_\_\_ **Overlap - Size of Overlap:** \_\_\_\_\_  
**Phone:** \_\_\_\_\_ **Cell:** \_\_\_\_\_ **Liner Over Steps: YES or NO** (Attach Step Orderform)  
**Fax:** \_\_\_\_\_ **Contact:** \_\_\_\_\_ **Cut-Out Steps: YES or NO** (Show Location Below)  
**Liner Pattern: Tile/Wall:** \_\_\_\_\_ (20 or 28 mil) **Floor:** \_\_\_\_\_ (20 or 28 mil)

**CORNERS**  
(Pool Wall - Not Coping)

**SQUARE**  
  
 90°

**DIAGONAL**  
  
 D = \_\_\_\_\_

**RADIUS**  
  
 R = \_\_\_\_\_



A	
A <sub>1</sub>	
B	
C	
C <sub>1</sub>	
D	
E	
F	
G	
H	
J	
K	
L	
M	
N	
P	
Q	
S	
T	
W	

## LAZY ELLE

Carlton Rd, Swiftwater, PA

Phone: (570) 839-9291 Fax: (570) 839-6915

15 Krey Blvd., Rensselaer, NY

Phone: (518) 283-1023 Fax: (518) 283-1059