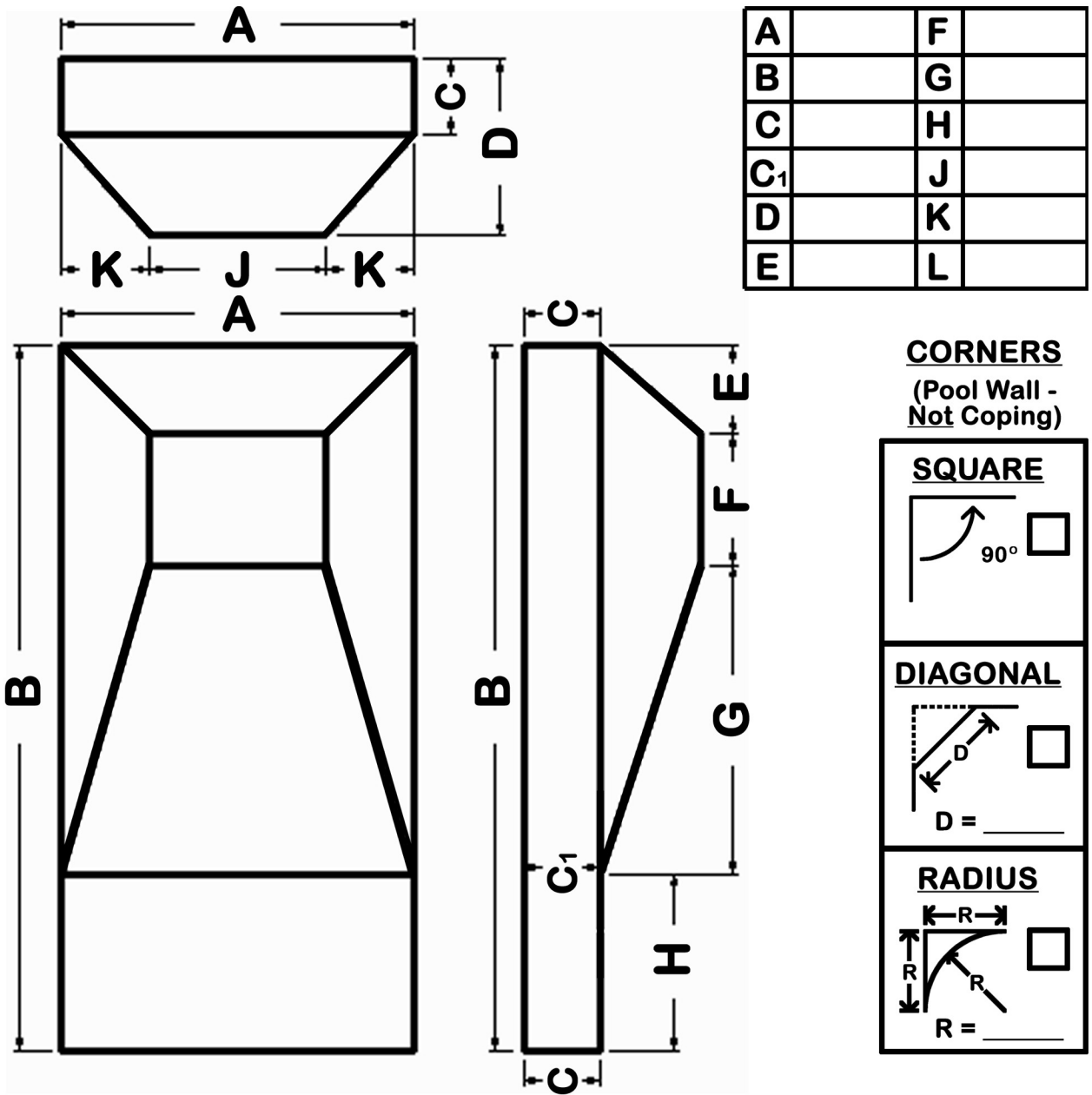




Pocono Pool Products

Company Name: _____ **Cust. Name/PO#:** _____
Address: _____ **Hung (Beaded) - Bead Type:** _____
City: _____ **State:** ____ **Zip:** _____ **Overlap - Size of Overlap:** _____
Phone: _____ **Cell:** _____ **Liner Over Steps: YES or NO** (Attach Step Orderform)
Fax: _____ **Contact:** _____ **Cut-Out Steps: YES or NO** (Show Location Below)
Liner Pattern: Tile/Wall: _____ (20 or 28 mil) **Floor:** _____ (20 or 28 mil)



STANDARD RECTANGLE

Carlton Rd, Swiftwater, PA

Phone: (570) 839-9291 Fax: (570) 839-6915

15 Krey Blvd., Rensselaer, NY

Phone: (518) 283-1023 Fax: (518) 283-1059